



Product Specifications

Single color control card HD-U63 (USB Port)

V2.0 20170901

Overview

For signage, store, outdoor advertising and other information display, HUIDU technology launched our U-disk series control card, for updates the display programs by the USB port.

U63 is U-disk series control card, through the USB port to update the program. Cost-effective, simple software to operate, better and rich display effect . Support for variety of monochrome display.

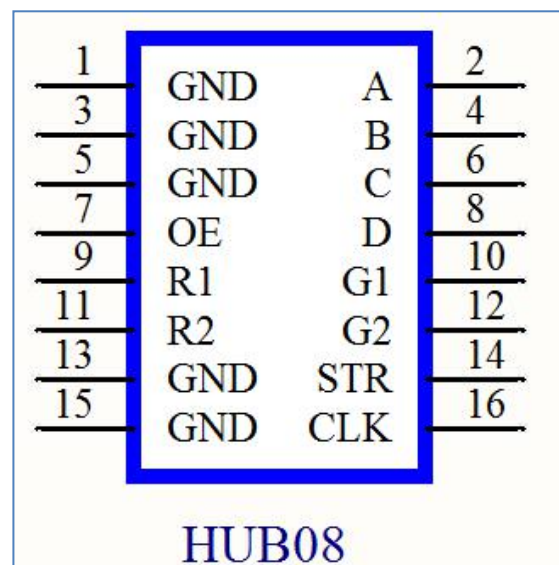
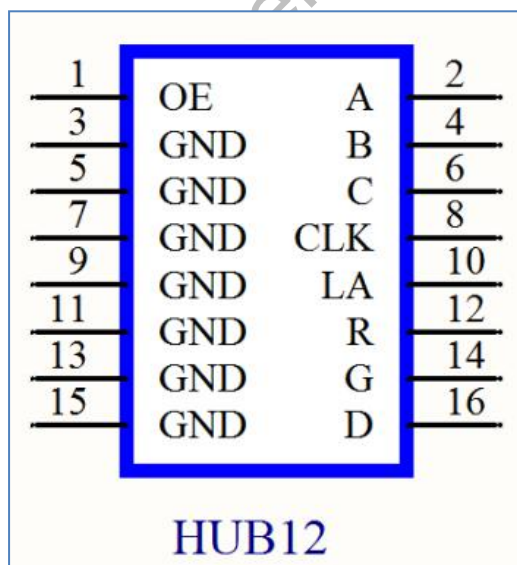
Application software: HD2016.

Features

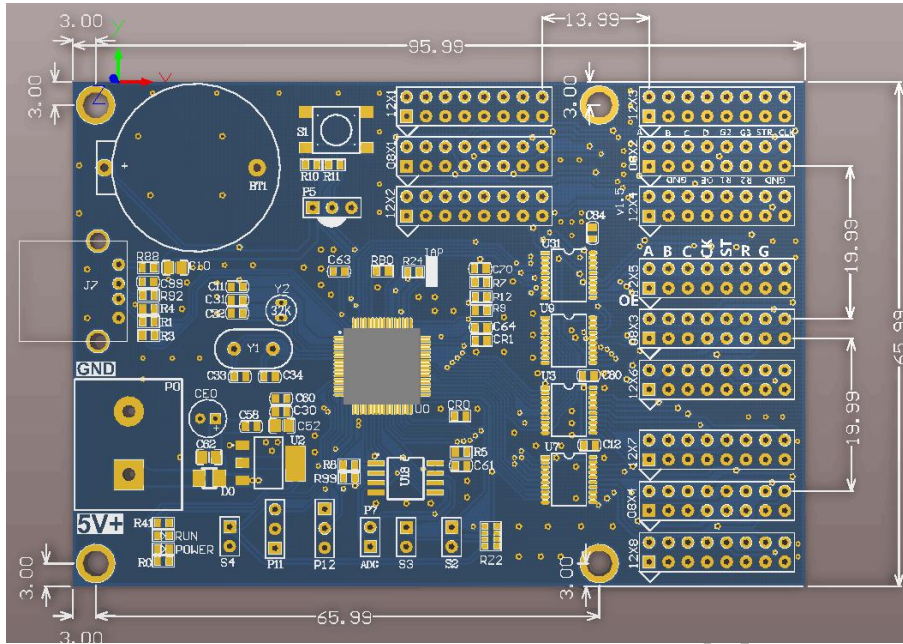
Content	Parameters
Support module	Single Color/ Dual Color /Tricolor
Control range Resolution	Single color: 512W*128H Dual color: 256W*128H Tri color: 320W*64H
FLASH Capacity	4M Byte
Communication Port	U-Disk
HUB signals	8HUB12, 4HUB08
Program Quantity	1000pcs Programs. also can change program by button or remote if weld sensor (Remoter can select1-999 Programs)
Area Quantity	20 areas with separate zone, and separated special effects and border
Display Showing	Text、 Animation word、 Time、 Count、 Lunar calendar
Display effect	1.Support all languages(Software :HD2016) 2.Support 7 color effects and Gray level (HD-U62/U63/U64) 3.Text、 3Dtext、 small video、 Picture, Time, Timing display 4.Border functions : Program border, area border and Custom design border. 5.Add Countdown /Count up, Button Countdown / Count up

Display effect	6.Add Text Rotation of 90° 、 180° 、 270° for display Text function of Hollow、 Stroke etc 7.Add payment collection function 8.Updated program by U-disk 9. More than 200 types showing effects
Clock function	1.Support calendar, analog clock, lunar calendar 2. is timing, countdown display 3.display font, size, location, etc. can be arbitrarily set 4. support for multiple time zone display
Extended Equipment	Remote function、 temperature、 humidity、 brightness etc. (If weld sensor) .Remoter can select1-999 Programs
Automatic switch screen	Switch on/off display by time automatically
Brightness adjustment	Setting by Custom、 Automatic(weld sensor) 、 by time period regulation

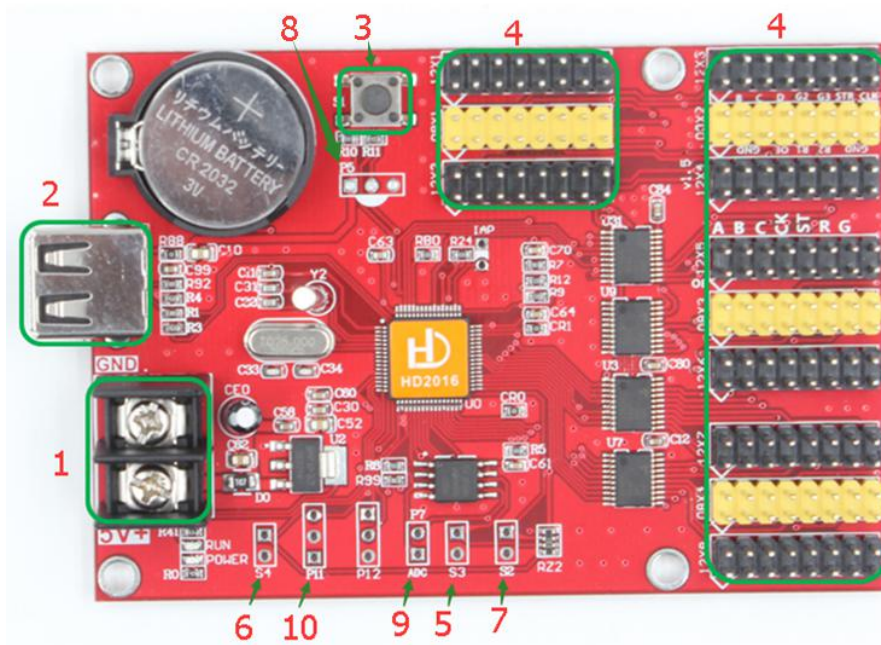
Port Definition



Drawing



HD-U63 Photo



- ①: Power connector, connect 5V power supply;
- ②: USB ports, Updated program by U-disk;
- ③: Test button, click to switch screen test status;

- ④： 8HUB12, 4 HUB08, connect the display;
- ⑤： S3, connect the point switch, switch the previous program, timer reset, count down;
- ⑥： S4, connect the point switch, program control, time-out, count reset;
- ⑦： S2, connect the point switch, switch the next program, the timer starts, count plus;
- ⑧： P5, connect temperature / humidity sensor;
- ⑨： P7, connect the brightness sensor;
- ⑩： P11, connected to the infrared receiver, with the remote control.

Technical Parameters

	Minimum	Typical value	Maximum
Rated voltage (V)	4.2	5.0	5.5
Storage temperature(°C)	-40	25	105
Work environment humidity (°C)	-40	25	80
Work environment humidity (%)	0.0	30	95

Precautions

- 1) To ensure that the control card is stored during normal operation, make sure the battery on the control card is not loose;
- 2) In order to ensure the long-term stable operation of the system, please try to use the standard 5V power supply voltage.