

# Product Specifications

Full color controller series

**HD-WF2**

V6.1.1 20201126

## 1. Overview

HD-WF2 (abbr. WF2) equipped with 2 lines HUB75E Port. It is a full color series of control card. It supports Wi-Fi and U disk to update programs. It is suitable for door lintel led screens, store signboard screens, Vehicle-mounted screen and other occasions.

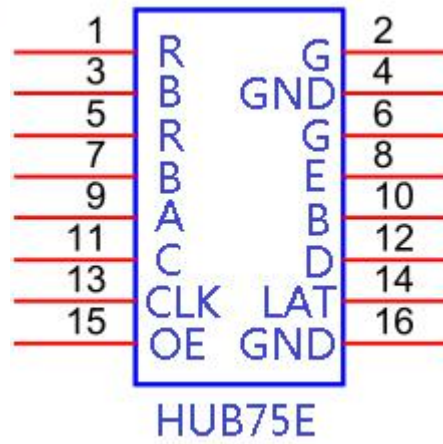
Application software: HD2020 and LedArt (APP). The software interface is simple, the operation is convenient, and the rich display mode has the characteristics of low cost and high cost performance, and supports various full-color led modules.

## 2. Features

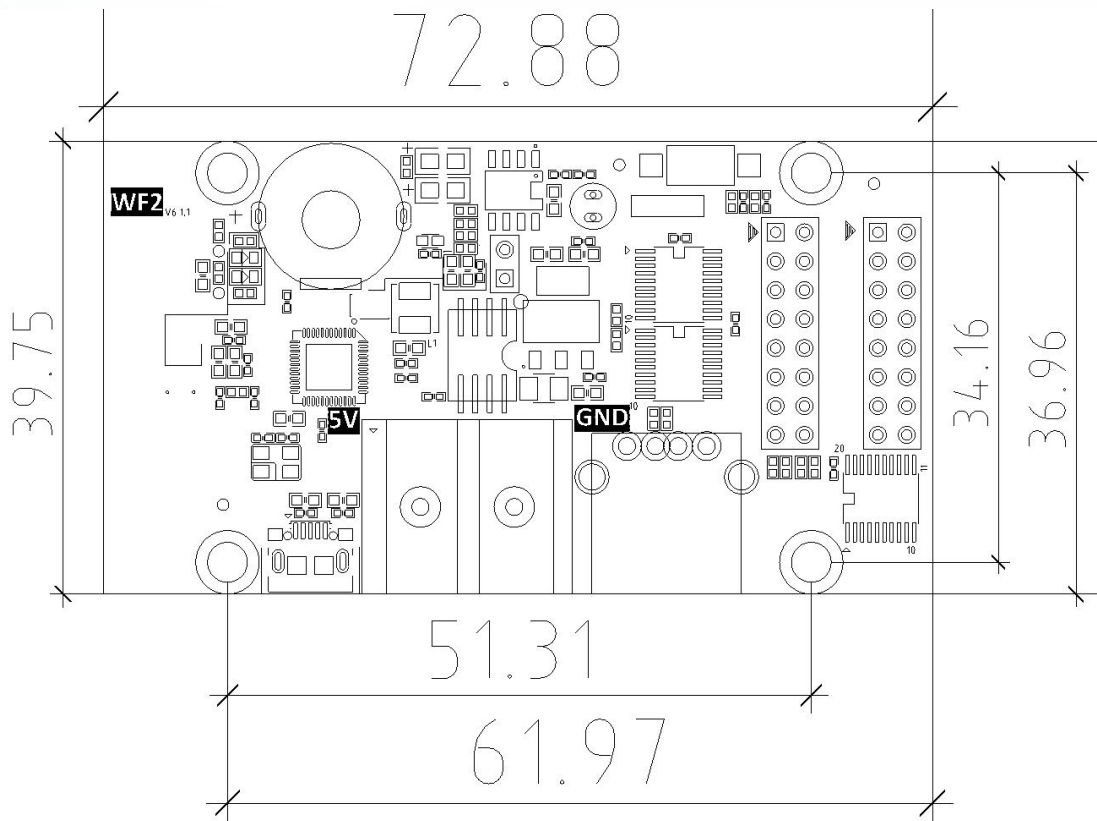
Functions	Description
<b>Support Module</b>	Support HUB75 port full color module, support normal and ICN2038 IC
<b>Scan mode</b>	Support static to 1/32S
<b>Control range</b>	1280*32, 768*64, 384*128
<b>Communication Port</b>	Wi-Fi, U-Disk
<b>FLASH Capacity</b>	8M Byte
<b>Support RGB</b>	Full-color module can display red, green, blue, yellow, Purple, green, white
<b>Gray level</b>	8 level, support full color text
<b>Program Quantity</b>	999 programs, support switch the program by wifi remote
<b>Area Quantity</b>	20 pcs areas with separate zone and separate special effects and border
<b>Display Showing</b>	Text、 Animated word、 3D Word、 Image & Text (Picture、 SWF) 、 Excel、 Time、 Temperature (humidity) 、 Timing、 Count、 Lunar calendar
<b>Automatic switch screen</b>	Support timer switch machine
<b>Dimming</b>	Support brightness setting, time period brightness setting
<b>Power supply</b>	Micro USB, standard 5V
<b>Certification</b>	CE、 FCC、 RoHS

### 3. Port Definition

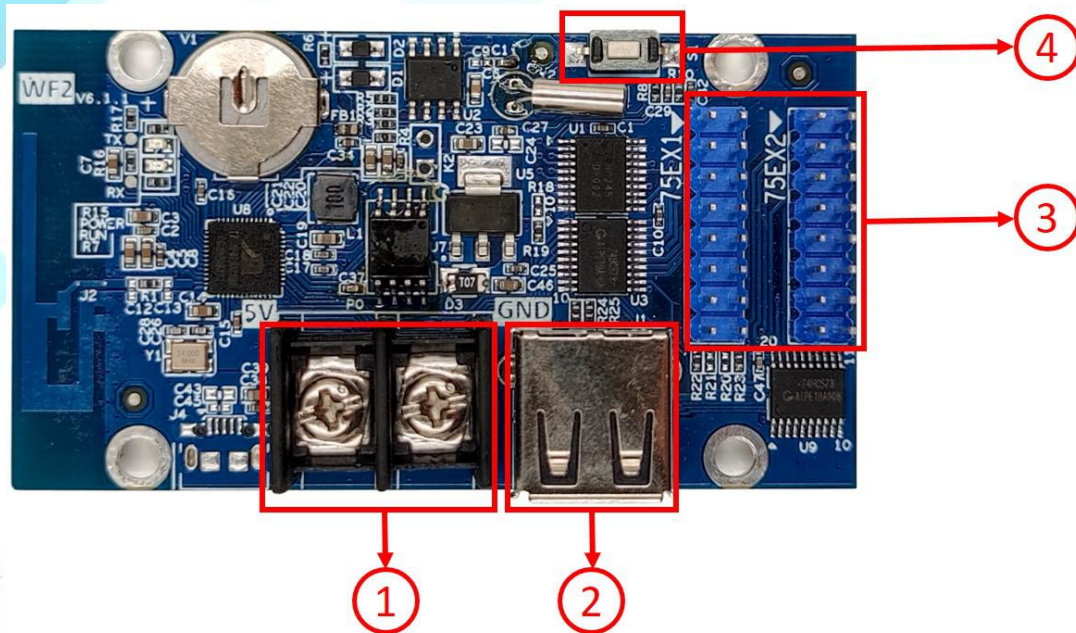
One HUB75E Port



### 4. Setup Diagram



## 5. Appearance description



- ① . 5V standard power connector, sharing with Micro-USB, can power to LED module directly
- ② . USB ports, for updating programs by U-disk
- ③ . HUB75E port for connecting to LED Display
- ④ . Test key, for testing LED screen status

## 6. Basic parameters

	Minimum	Typical value	Maximum
Rated voltage (V)	4.2	5.0	5.5
Storage temperature (°C)	-40	25	105
Work environment humidity (°C)	-40	25	80
Work environment humidity (%)	0.0	30	95



## Precautions

- 1) To ensure that the control card is stored during normal operation, make sure the battery on the control card is not loose;
- 2) In order to ensure the long-term stable operation of the system; please try to use the standard 5V power supply voltage.